

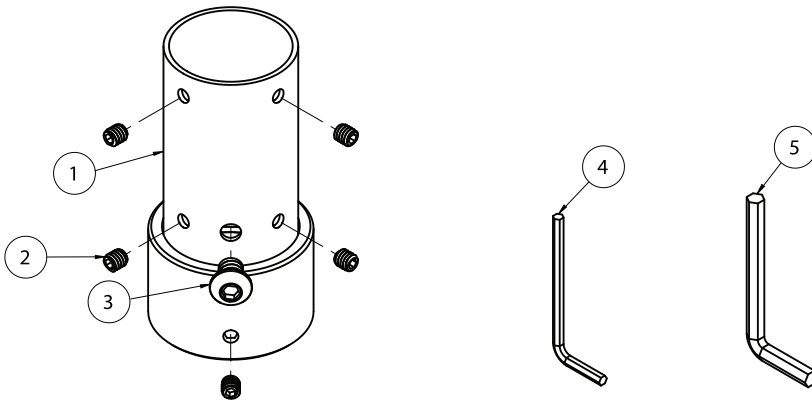
# BT5951

## NPT POLE ADAPTOR

USE WITH BT5935 POLES



## PARTS LIST



ITEM	DESCRIPTION	QTY
1	INTERNALLY THREADED 1.5" NPT ADAPTOR FOR Ø38mm POLES	1
2	M6 x 6mm GRUB SCREW	5
3	M8 x 10mm HEX SCREW	1
4	3AF HEX KEY	1
5	5AF HEX KEY	1

# INSTALLATION SAFETY INSTRUCTIONS



**CAUTION:** This product is intended for use only with the maximum weights indicated. Use with equipment heavier than the maximum indicated may result in instability causing possible injury.

B-Tech AV Mounts, it's distributors and dealers are not responsible for damage or injury caused by improper installation, improper use, modifications, installations over the specified weight capacity and/or failure to observe these safety instructions. In such cases, any warranty will expire.

It is recommended that this product should only be installed by a qualified professional / installer.

B-Tech AV Mounts does not claim any liability for any difficulties that may arise from the interpretation contained in these instructions. Failure to mount this product correctly may lead to serious injury and/or death.

Please check carefully to make sure there are no missing or defective parts - defective parts must never be used.

In the event of missing and/or defective parts, or technical questions, please contact an authorised dealer.

Pay careful attention to where this product is located, some locations are not suitable for installation. For indoor use only.

It is recommended that periodic inspections of the product are made as frequently as possible to ensure that safety is maintained.

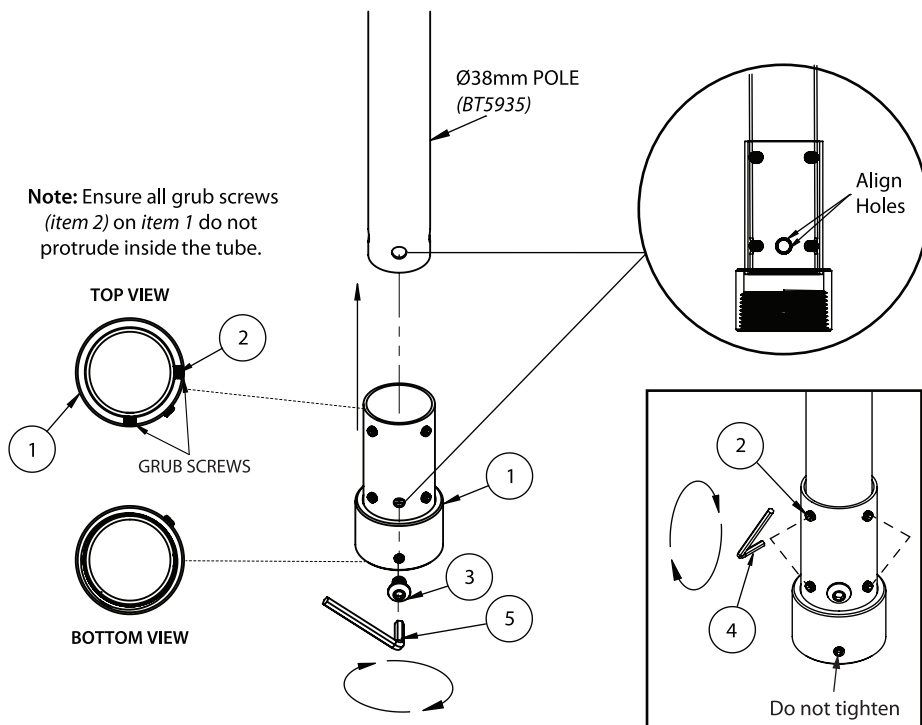
*Please keep these instructions for future reference.*

## INSTALLATIONS INSTRUCTIONS

### 1. CONNECT POLE TO ADAPTOR

- i. Insert a  $\varnothing 38\text{mm}$  pole (BT5935) into *item 1*, aligning the fixing holes on the pole and *item 1*. Ensure the pole goes into the non-threaded end of the adaptor.
  - ii. Fasten *item 3* into *item 1* and tighten the top 4 *item 2*, securing the adaptor to the pole.
- Note:** Do not tighten the bottom grub screw.

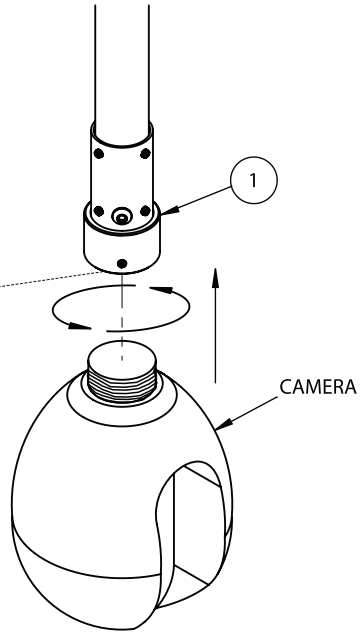
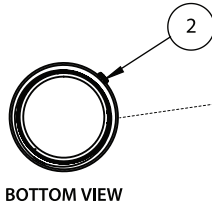
**Note:** Ensure all grub screws (*item 2*) on *item 1* do not protrude inside the tube.



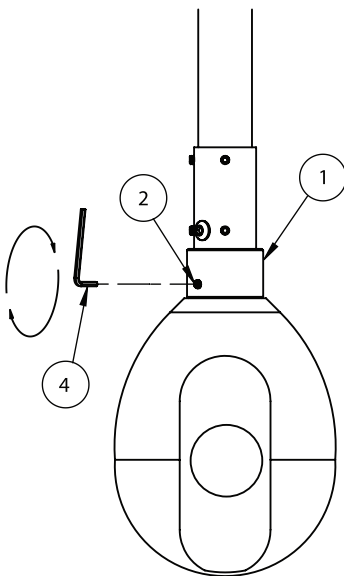
## 2. MOUNT CAMERA TO ADAPTOR

i. Fix the camera onto *item 1* and fully tighten.

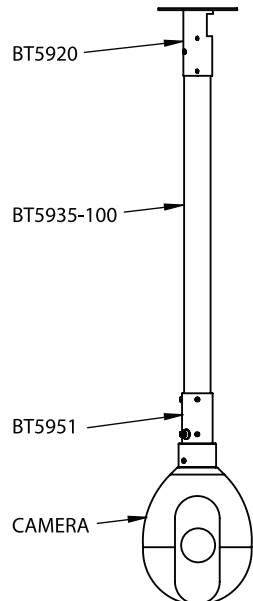
**Note:** Ensure *item 2* does not exceed the inner thread



ii. Tighten *item 2* on the bottom of *item 1*, securing the camera to the adaptor.

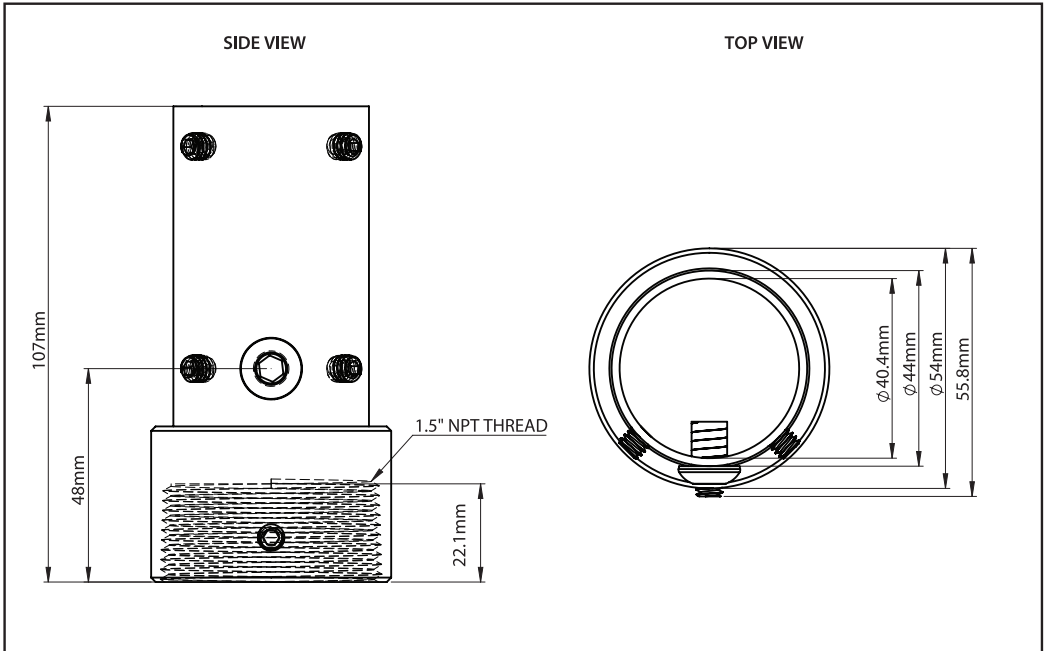


### TYPICAL INSTALLATION



**BT5951**

NPT POLE ADAPTOR

**PRODUCT DIMENSIONS****CONTACT:**
[info@btechavmounts.com](mailto:info@btechavmounts.com)

©2021 B-Tech International Design & Manufacturing Ltd. All rights reserved.  
 B-Tech AV Mounts is a division of B-Tech International Design & Manufacturing Ltd.  
 B-Tech AV Mounts and the B-Tech logo are registered trade marks.  
 All other brands and product names are trademarks of their respective owners.  
 Photographs are for illustrative purposes only. E&OE.

AMA-BT5951-V1-0121-110 MADE IN VIETNAM

